

JUEGOS JUVENILES 2017

44KG JUVENILES DAMAS

Competidores: 3

Competidores

| Nº | Nombre | Club | 1 | 2 | 3 | Victs. | Pts. | Pos. |
|----|----------------|-----------|----|---|---|--------|------|------|
| 1 | NAILA YARPAZ | SUCUMBIOS | | | | 0 | 0 | 3 |
| 2 | PAMELA QUIZHPI | EL ORO | 10 | | 1 | 2 | 11 | 1 |
| 3 | LUZ PEÑA | CAÑAR | 10 | | | 1 | 10 | 2 |

Combates

| Comb. | Blanco | | | Azul | Resultado | Tiempo |
|-------|----------------|---|---|----------------|-----------|--------|
| 1 | NAILA YARPAZ | 1 | 2 | PAMELA QUIZHPI | 00-10 | 0:44 |
| 2 | NAILA YARPAZ | 1 | 3 | LUZ PEÑA | 00-10 | 0:10 |
| 3 | PAMELA QUIZHPI | 2 | 3 | LUZ PEÑA | 01s1-00 | 4:00 |

Clasificación

| Pos. | Nombre |
|------|-------------------------|
| 1 | PAMELA QUIZHPI, EL ORO |
| 2 | LUZ PEÑA, CAÑAR |
| 3 | NAILA YARPAZ, SUCUMBIOS |

JUEGOS JUVENILES 2017

48KG JUVENILES DAMAS

Competidores: 3

Competidores

| Nº | Nombre | Club | 1 | 2 | 3 | Victs. | Pts. | Pos. |
|----|---------------|--------|----|----|---|--------|------|------|
| 1 | MARTHA CASTRO | GUAYAS | | | | 0 | 0 | 3 |
| 2 | BERTHA PEÑA | CAÑAR | 10 | | | 1 | 10 | 2 |
| 3 | ANA ORTIZ | AZUAY | 10 | 10 | | 2 | 20 | 1 |

Combates

| Comb. | Blanco | | | Azul | Resultado | Tiempo |
|-------|---------------|---|---|-------------|-----------|--------|
| 1 | MARTHA CASTRO | 1 | 2 | BERTHA PEÑA | 00s3-10s2 | 2:08 |
| 2 | MARTHA CASTRO | 1 | 3 | ANA ORTIZ | 00-10 | 6:50 |
| 3 | BERTHA PEÑA | 2 | 3 | ANA ORTIZ | 00-10 | 1:31 |

Clasificación

| Pos. | Nombre |
|------|-----------------------|
| 1 | ANA ORTIZ, AZUAY |
| 2 | BERTHA PEÑA, CAÑAR |
| 3 | MARTHA CASTRO, GUAYAS |

JUEGOS JUVENILES 2017

52KG JUVENILES DAMAS

Competidores: 2

Competidores

| Nº | Nombre | Club | 1 | 2 | 1 | 2 | 1 | 2 | Victs. | Pts. | Pos. |
|----|----------------|---------|---|----|---|----|---|---|--------|------|------|
| 1 | YELENA ARREAGA | GUAYAS | | 10 | | 10 | | | 2 | 20 | 1 |
| 2 | DAYANA OSORIO | BOLIVAR | | | | | | | 0 | 0 | 2 |

Combates

| Comb. | Blanco | | | Azul | Resultado | Tiempo |
|-------|----------------|---|---|---------------|-----------|--------|
| 1 | YELENA ARREAGA | 1 | 2 | DAYANA OSORIO | 10-00s1 | 1:37 |
| 2 | YELENA ARREAGA | 1 | 2 | DAYANA OSORIO | 10-00s3 | 2:47 |
| 3 | YELENA ARREAGA | 1 | 2 | DAYANA OSORIO | | |

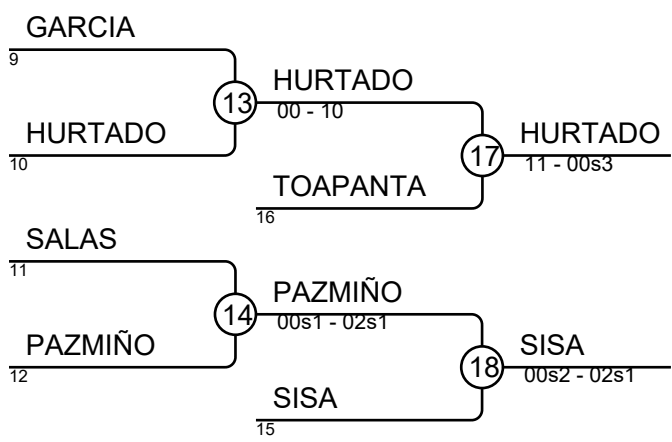
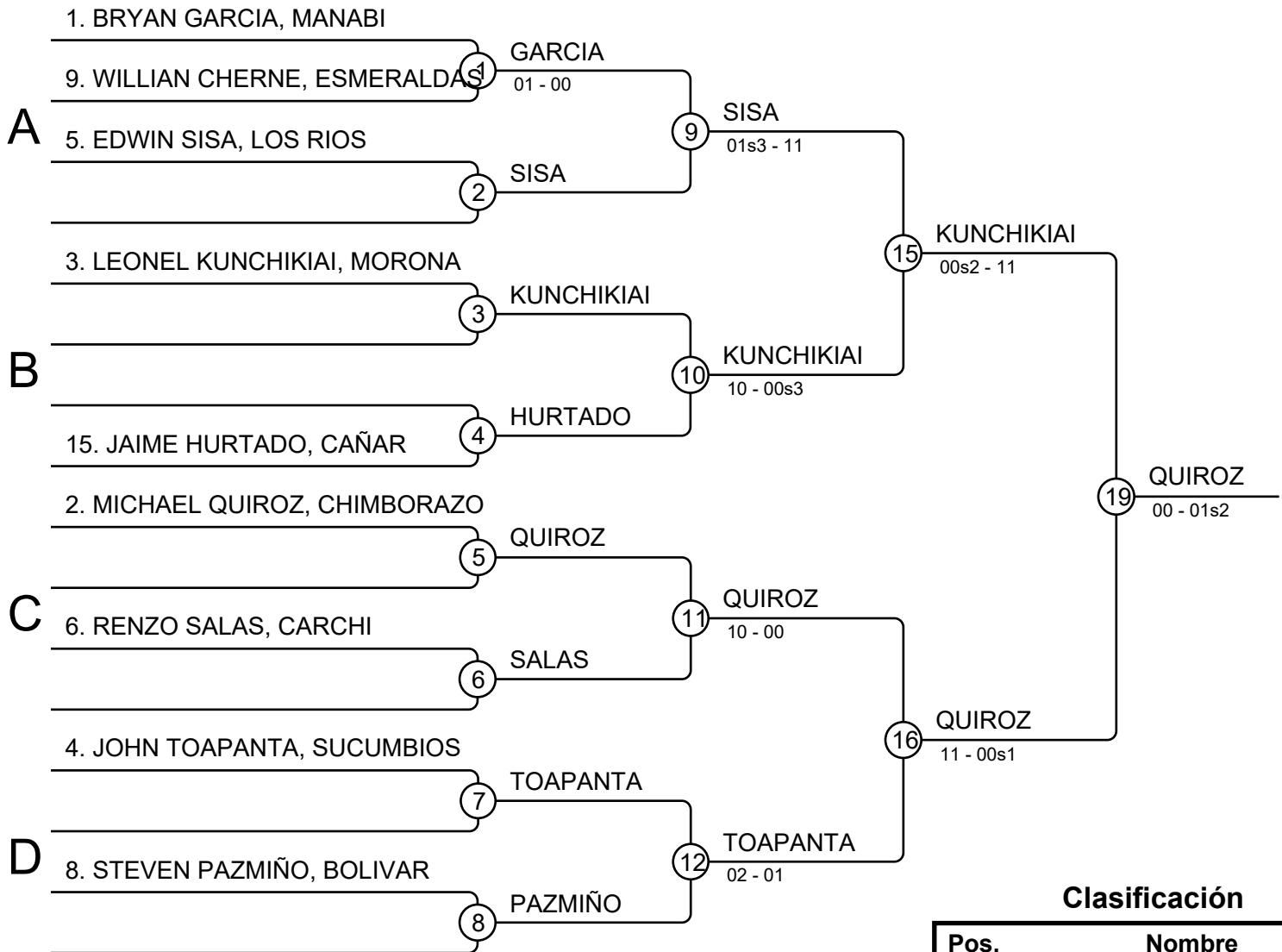
Clasificación

| Pos. | Nombre |
|------|------------------------|
| 1 | YELENA ARREAGA, GUAYAS |
| 2 | DAYANA OSORIO, BOLIVAR |

JUEGOS JUVENILES 2017

55KG JUVENILES VARONES

Competidores: 9



Clasificación

| Pos. | Nombre |
|------|----------------------------|
| 1 | MICHAEL QUIROZ, CHIMBORAZO |
| 2 | LEONEL KUNCHIKIAI, MORONA |
| 3 | JAIME HURTADO, CAÑAR |
| 3 | EDWIN SISA, LOS RIOS |
| 5 | JOHN TOAPANTA, SUCUMBIOS |
| 5 | STEVEN PAZMIÑO, BOLIVAR |
| 7 | BRYAN GARCIA, MANABI |
| 7 | RENZO SALAS, CARCHI |

JUEGOS JUVENILES 2017

57KG JUVENILES DAMAS

Competidores: 5

Competidores

| Nº | Nombre | Club | 1 | 2 | 3 | 4 | 5 | Victs. | Pts. | Pos. |
|----|------------------|------------|----|---|----|----|---|--------|------|------|
| 1 | ANGELA OROSCO | CHIMBORAZO | | | | | | 0 | 0 | 4 |
| 2 | GENESIS MORENO | GUAYAS | 10 | | 10 | 10 | | 3 | 30 | 1 |
| 3 | AIDA VELEZ | SUCUMBIOS | 10 | | | 10 | | 2 | 20 | 2 |
| 4 | VALERIA GALLEGOS | CAÑAR | 10 | | | | | 1 | 10 | 3 |
| 5 | TANIA CARVAJAL | BOLIVAR | | | | | | 0 | 0 | 5 |

Combates

| Comb. | Blanco | | | Azul | Resultado | Tiempo |
|-------|------------------|---|---|------------------|-----------|--------|
| 1 | VALERIA GALLEGOS | 4 | 5 | TANIA CARVAJAL | | |
| 2 | ANGELA OROSCO | 1 | 2 | GENESIS MORENO | 00s3-10 | 0:52 |
| 3 | AIDA VELEZ | 3 | 4 | VALERIA GALLEGOS | 12-00s2 | 2:16 |
| 4 | ANGELA OROSCO | 1 | 5 | TANIA CARVAJAL | | |
| 5 | GENESIS MORENO | 2 | 3 | AIDA VELEZ | 10-00 | 0:49 |
| 6 | ANGELA OROSCO | 1 | 4 | VALERIA GALLEGOS | 00s3-10 | 3:36 |
| 7 | AIDA VELEZ | 3 | 5 | TANIA CARVAJAL | | |
| 8 | GENESIS MORENO | 2 | 4 | VALERIA GALLEGOS | 10-00 | 0:09 |
| 9 | ANGELA OROSCO | 1 | 3 | AIDA VELEZ | 00-10 | 0:28 |
| 10 | GENESIS MORENO | 2 | 5 | TANIA CARVAJAL | | |

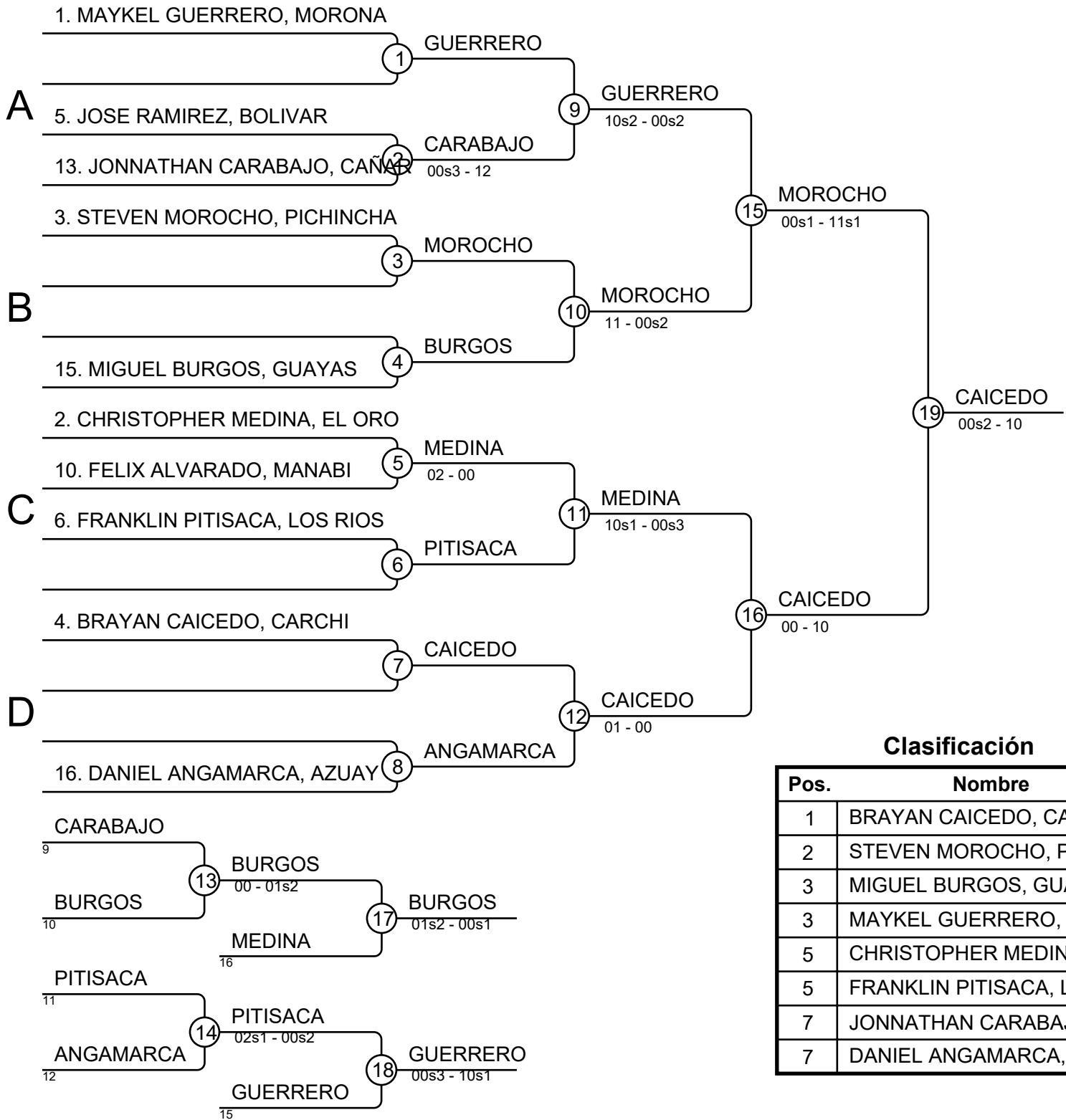
Clasificación

| Pos. | Nombre |
|------|---------------------------|
| 1 | GENESIS MORENO, GUAYAS |
| 2 | AIDA VELEZ, SUCUMBIOS |
| 3 | VALERIA GALLEGOS, CAÑAR |
| 4 | ANGELA OROSCO, CHIMBORAZO |
| 5 | TANIA CARVAJAL, BOLIVAR |

JUEGOS JUVENILES 2017

60KG JUVENILES VARONES

Competidores: 10



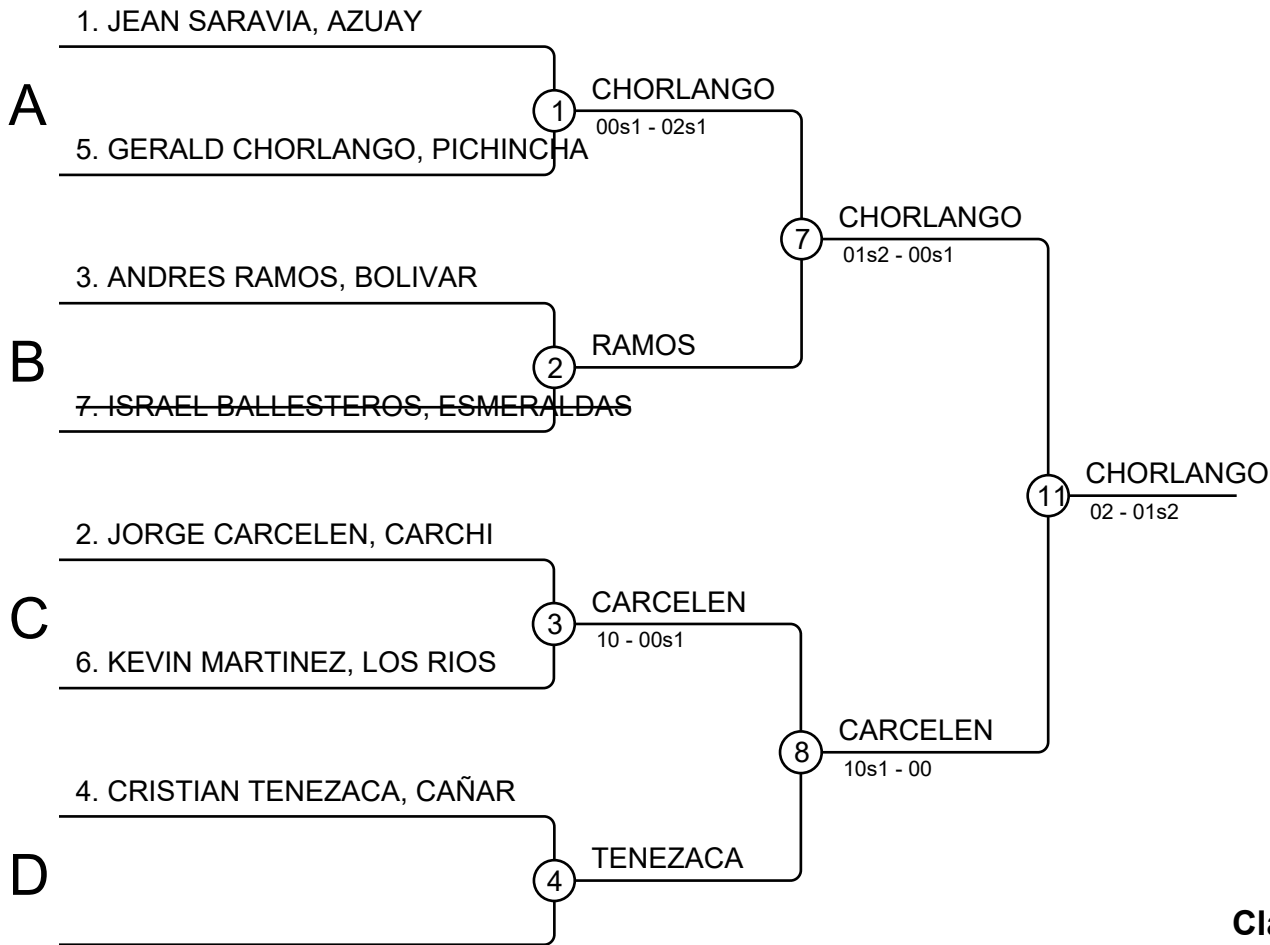
Clasificación

| Pos. | Nombre |
|------|-----------------------------|
| 1 | BRAYAN CAICEDO, CARCHI |
| 2 | STEVEN MOROCHO, PICHINCHA |
| 3 | MIGUEL BURGOS, GUAYAS |
| 3 | MAYKEL GUERRERO, MORONA |
| 5 | CHRISTOPHER MEDINA, EL ORO |
| 5 | FRANKLIN PITISACA, LOS RIOS |
| 7 | JONNATHAN CARABAJO, CAÑAR |
| 7 | DANIEL ANGAMARCA, AZUAY |

JUEGOS JUVENILES 2017

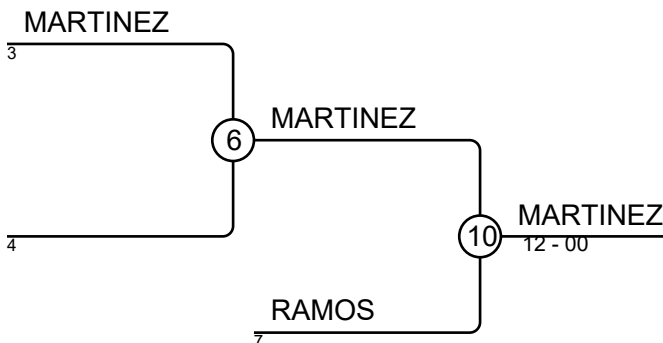
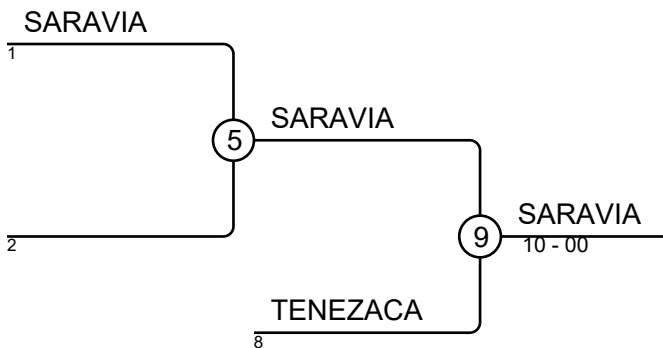
66KG JUVENILES VARONES

Competidores: 7



Clasificación

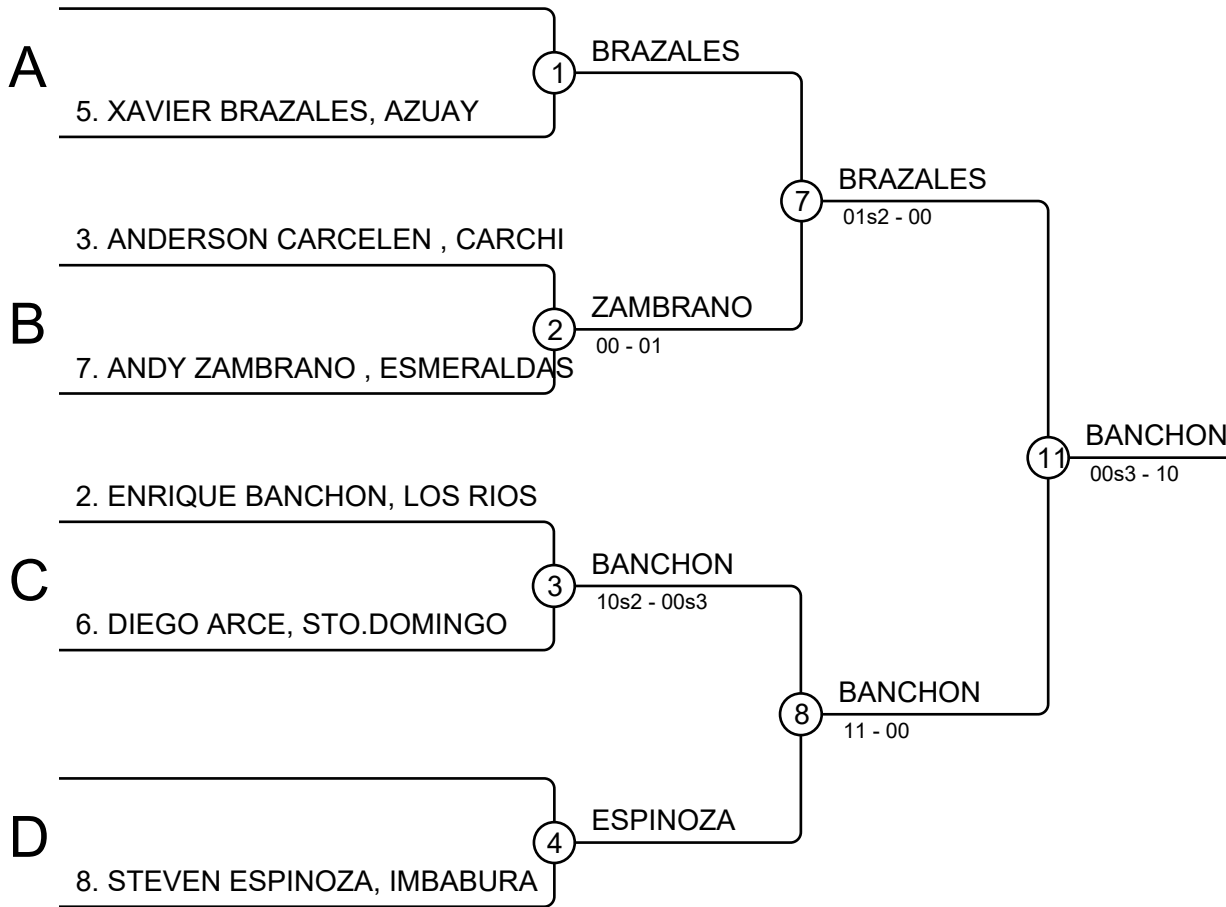
| Pos. | Nombre |
|------|-----------------------------|
| 1 | GERALD CHORLANGO, PICHINCHA |
| 2 | JORGE CARCELEN, CARCHI |
| 3 | JEAN SARAVIA, AZUAY |
| 3 | KEVIN MARTINEZ, LOS RIOS |
| 5 | CRISTIAN TENEZACA, CAÑAR |
| 5 | ANDRES RAMOS, BOLIVAR |
| 7 | |
| 7 | |



JUEGOS JUVENILES 2017

73KG JUVENILES VARONES

Competidores: 6



Clasificación

| Pos. | Nombre |
|------|---------------------------|
| 1 | ENRIQUE BANCHON, LOS RIOS |
| 2 | XAVIER BRAZALES, AZUAY |
| 3 | ANDERSON CARCELEN, CARCHI |
| 3 | DIEGO ARCE, STO.DOMINGO |
| 5 | STEVEN ESPINOZA, IMBABURA |
| 5 | ANDY ZAMBRANO, ESMERALDAS |
| 7 | |
| 7 | |

